



VAB Radiolucent Armboard

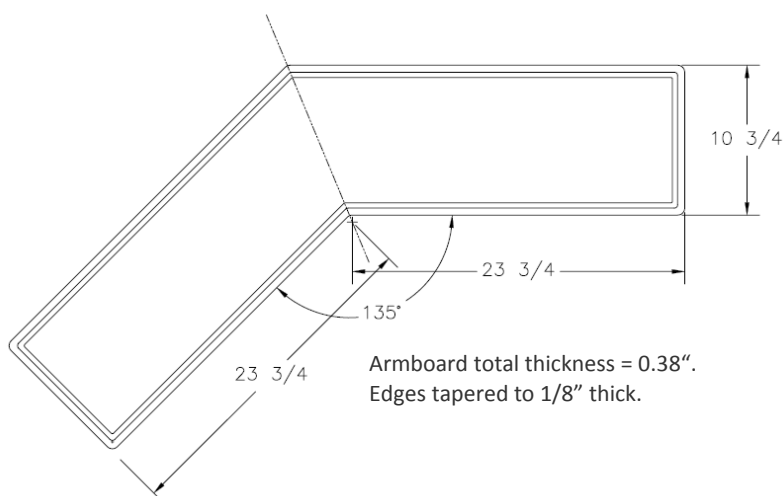
IDI Catalog # A100-1720

For vascular access and angiographic imaging of the arm



(Armboard and tabletop shown without pads)*

- **Ultra-stable and rigid**
 - High-strength, one-piece carbon fiber construction
 - Armboard load rating: 100 lbs.
 - Body section slides under tabletop pad and across entire table width; securely held in place by patient's body
- **Easy positioning**
 - Extra-wide armboard surface
 - Angle can be adjusted by rotating entire board
 - Symmetrical design: may be positioned to support arm on either side of table
- **Total carbon fiber construction**
 - Artifact free and very low x-ray attenuation (0.5 mm Al equivalency)



Armboard includes pad & strap